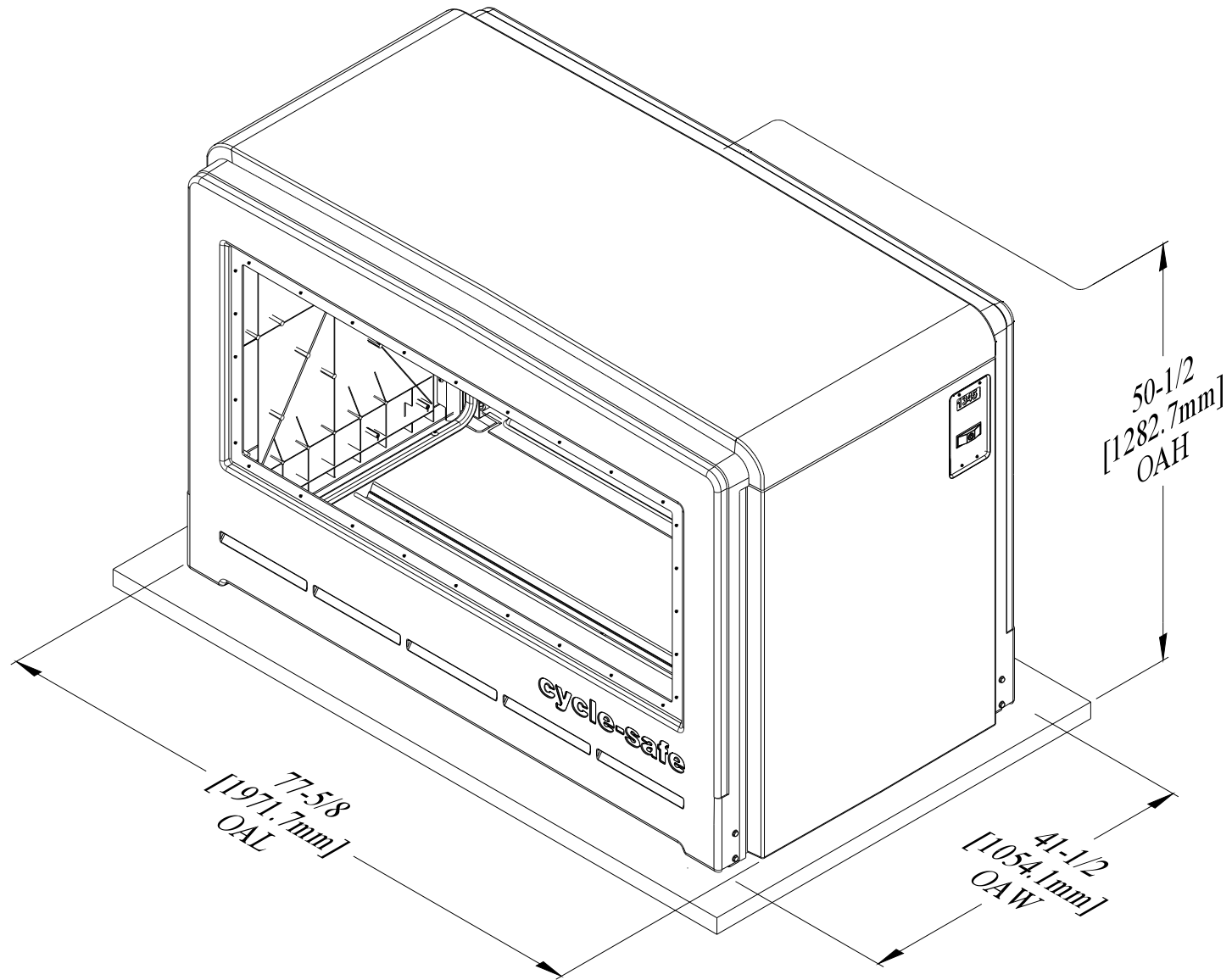
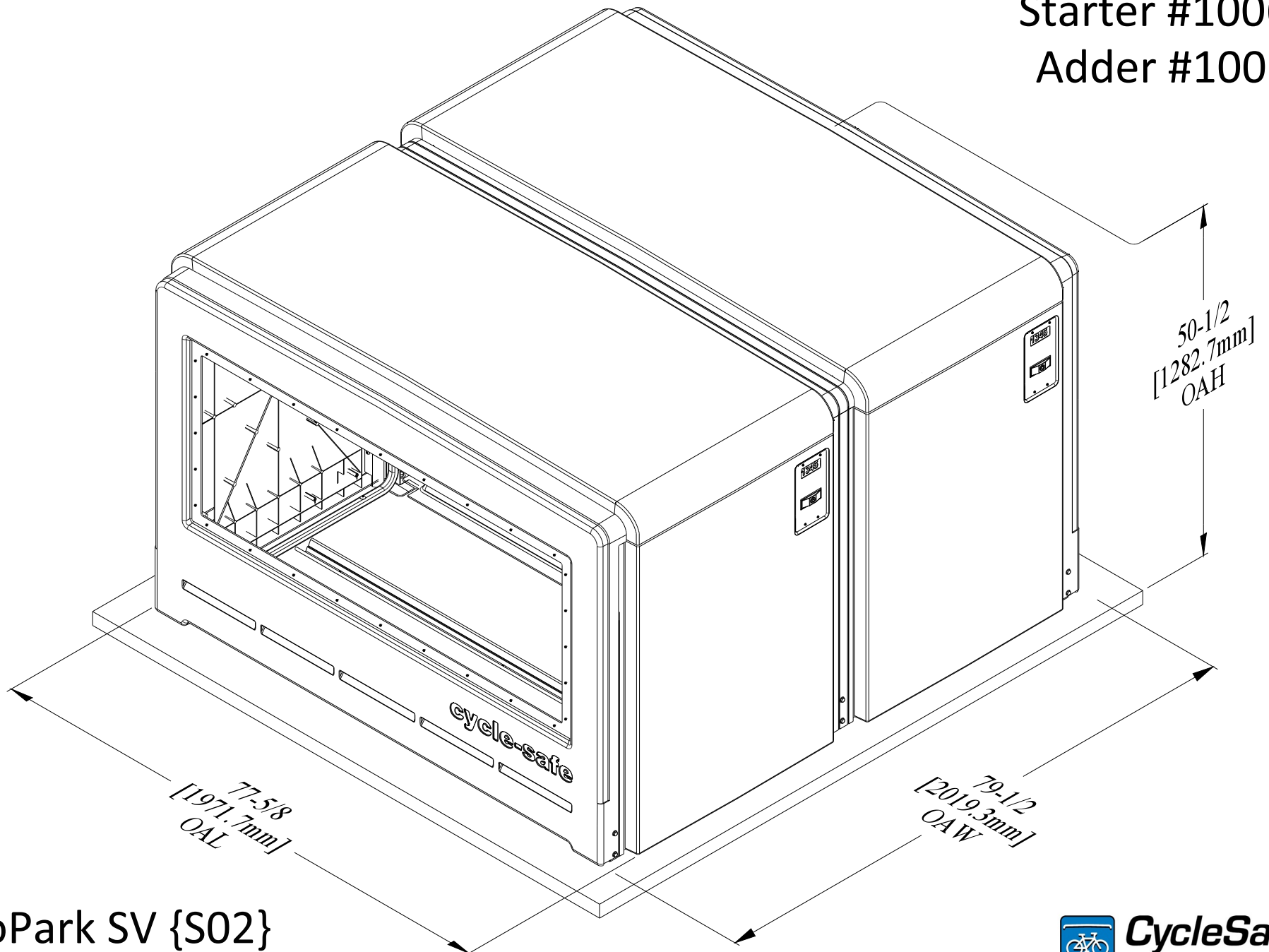


Part #10066



ProPark SV {S01}
{1-Bike} Starter Locker {Dims}

Starter #10066
Adder #10068

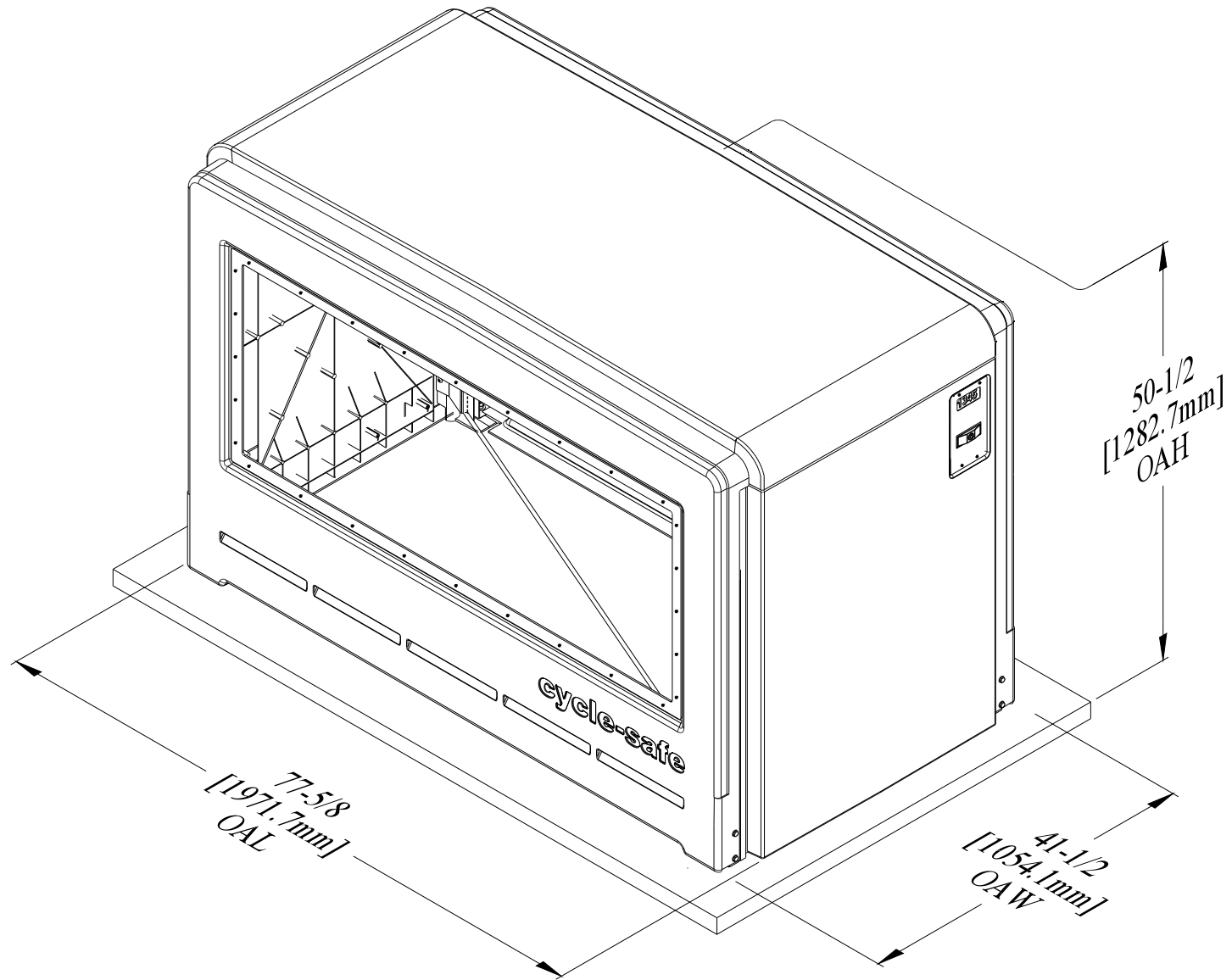


ProPark SV {S02}
{2-Bike} Locker Assy {Dims}



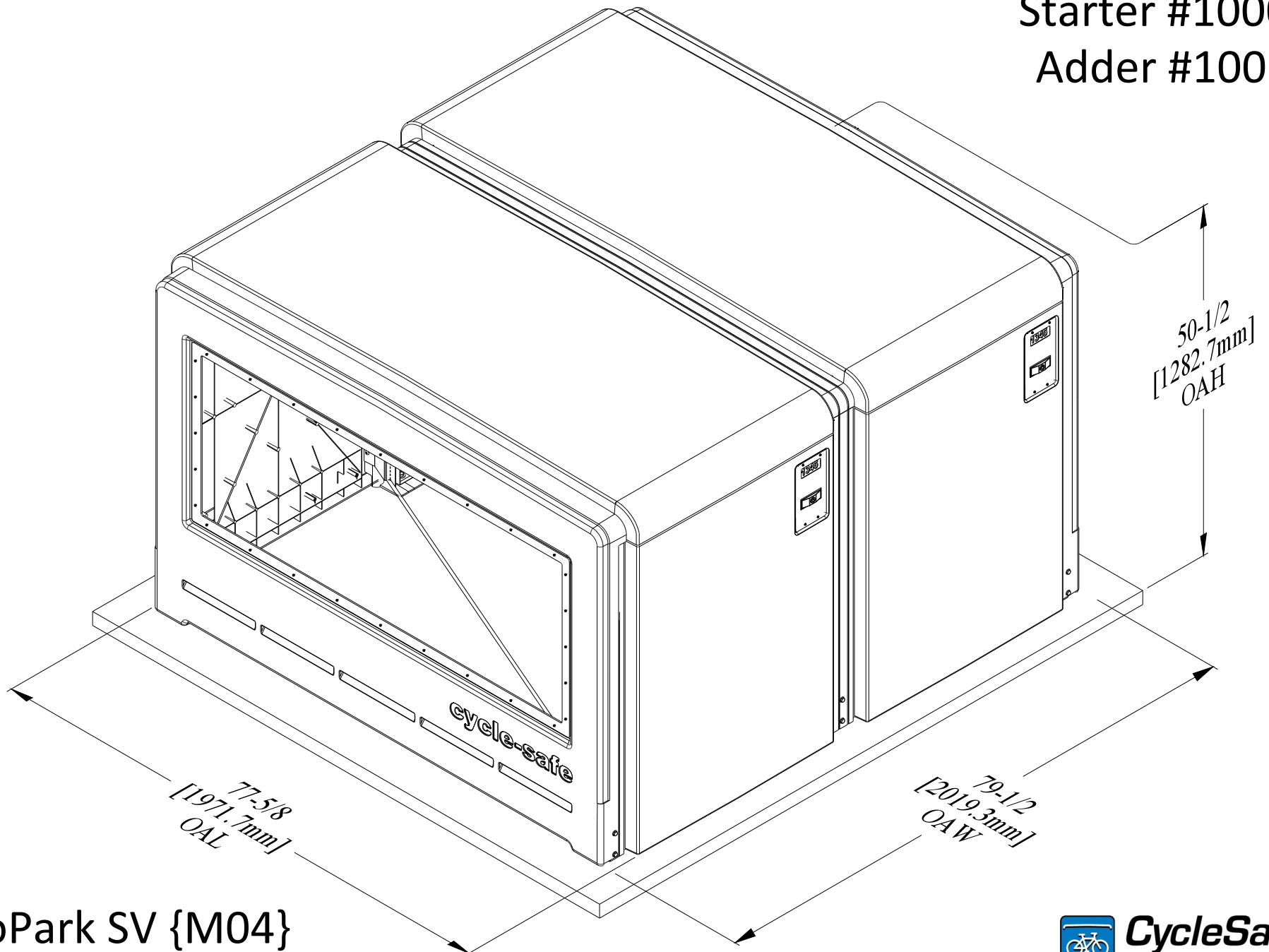
www.cyclesafe.com

Part #10005



ProPark SV {M02}
{2-Bike} Starter Locker {Dims}

Starter #10005
Adder #10054



ProPark SV {M04}
{4-Bike} Locker Assy {Dims}



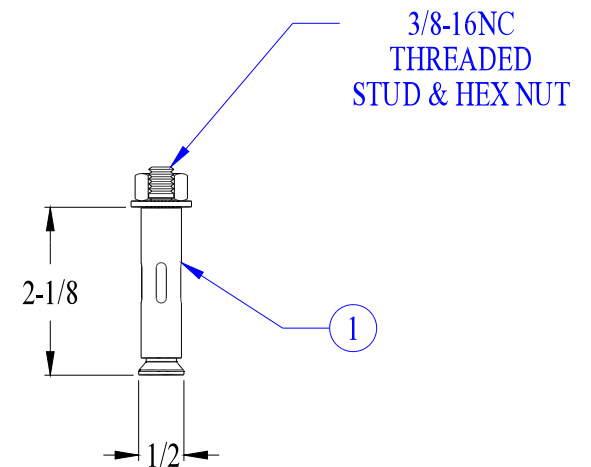
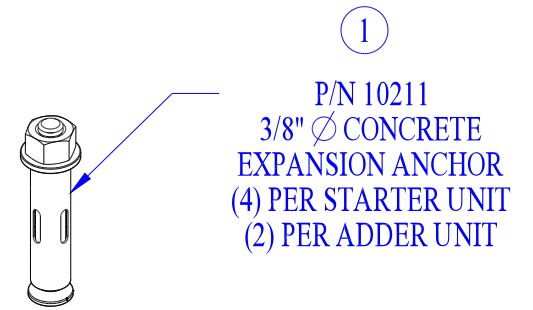
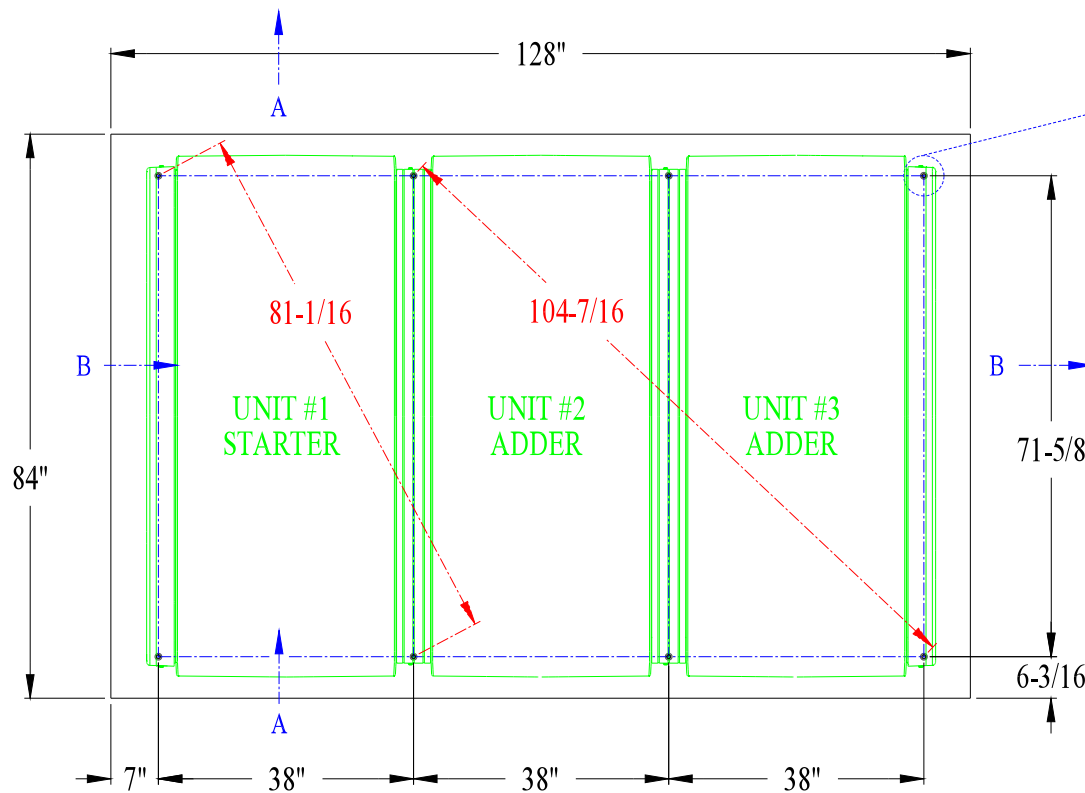
www.cyclesafe.com

NOTE:

INCLINE ANGLES

A. DOOR-TO-DOOR INCLINE TO BE NO MORE THAN 1 ° SLANT

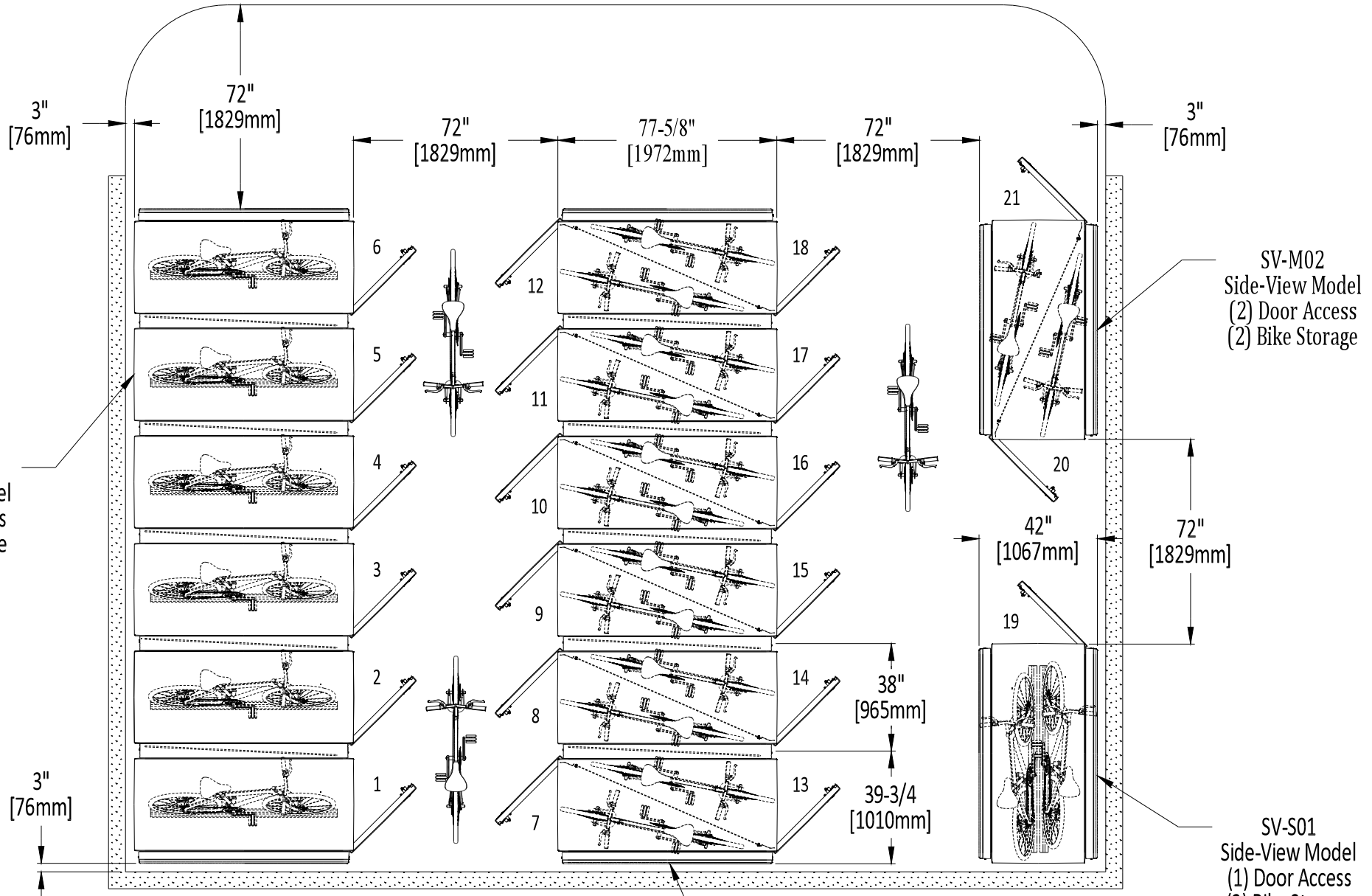
B. BANKING SIDE-TO-SIDE TO BE NO MORE THAN 2 ° SLANT



ProPark {M06} Lockers Anchor Placement Locations



www.cyclesafe.com



ProPark {Locker} Layout Clearances & Capacities

SV-M12
Side-View Model
(2) Door Access
(12) Bike Storage



www.cyclesafe.com